



Cheetah Pad Instructions



For restoration on all marble, limestone, travertine and terrazzo surfaces

Using the Cheetah Pad system can reduce your job time and labor costs by up to 70%. No chemicals are ever required, all polishing and restoration is done with 100% mechanical abrasion, all you need is water! The Cheetah Pads are able to deliver very consistent results that match and in many cases exceed the quality of standard factory finished stones!

CURRENT STONE CONDITION	DESIRED OUTCOME= DULL HONED FINISH	DESIRED OUTCOME= SATIN HONED FINISH	DESIRED OUTCOME= HIGH GLOSS POLISH
HEAVILY DAMAGED	Use Step 1 Cheetah Pad followed by 200 or 400 grit Monkey Pad	Use Step 1 & 2 Cheetah Pads followed by 400 or 800 grit Monkey Pad	Use Step 1,2,3 & 4 Cheetah Pads followed by 11,000 grit Monkey Pad
MODERATE SCRATCHES AND ETCHING	Use Step 2 Cheetah Pad followed by 200 or 400 grit Monkey Pad	Use Step 2 Cheetah Pad followed by 400 or 800 grit Monkey Pad	Use Steps-2,3 & 4 Cheetah Pads followed by 11,000 grit Monkey Pad
LIGHT SCRATCHES AND ETCHING	200 grit Monkey Pad	800 or 1500 grit Monkey Pad	Use Steps 3 & 4 Cheetah Pads followed by 11,000 grit Monkey Pad
SLIGHTLY DULL POLISH	N/A	800 or 1500 grit Monkey Pad	Use Step 4 Cheetah Pad followed by 11,000 grit Monkey Pad
ROUTINE MAINTENANCE	200 grit Monkey Pad	1500 grit Monkey Pad	11,000 grit Monkey Pad

Equipment needed for floor restoration: a machine - the pads will work with all of the following types - a standard 175 rpm floor buffer, orbital machines, planetary machines, or any oscillating machines (rectangular)
Rinse tool/portable- we strongly recommend a **4 jet squeegee wand**, microfiber cloths. (**Do not** use any rinse tool with a brush or spinner or plastic that contacts the floor)

Equipment needed for countertop/vertical surface restoration:
Any variable speed hand polisher (we recommend a Makita 9227C model), a 4" or 7" backer pad, squirt bottle and a hand squeegee, microfiber cloths We recommend using low speed - 600 rpm or less is fine.

Pad sizes available: 5", 8", 17", 20" and a variety of rectangular sizes.

Cut Pattern and traditional diamond comparison:

Step 1 - equivalent to 50, 100, 200, 400 grit diamonds (for example, the step 1 pad will cut like a traditional 50 grit diamond but leave the scratch pattern of a 400 grit diamond)

Step 2 - equivalent to 100, 200, 400, 800 grit diamonds

Step 3 - equivalent to 400, 800, 1500, 3000 grit diamonds

Step 4 - equivalent to 3000, 8000 grit diamonds

Using weights: You do not need extra weight to perform restoration on most surfaces, however it will speed up the cutting time. We most often suggest using approx. 30 lbs. (item # WDP30) For harder stones, such as green marble, use additional weight. When doing soft stones, such as limestone, do not use additional weight.

Proper storage: Rinse your pads out thoroughly and store in a breathable bag or box to avoid getting them contaminated. Contaminated pads will affect the final result. Always rinse from the backside of the pads so that abrasives and slurry rinse out.

Breakage: If a segment of your pad becomes detached, simply finish the job and you can reattach it with a little bit of gorilla glue. Allow to dry for 24 hours before next use. There is approximately 30% more material than necessary on the pads. The segments are designed to break apart and come off if you hit severe lippage or a corner. You want your pad to give instead of risking damage to a tile.

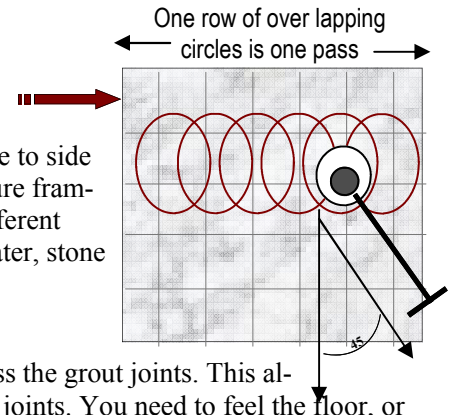
Colors and variation:The Cheetah pad system is completely hand-made. There may be a slight variation with the color of the abrasive segments and pads.

Break In: New pads do require a break-in period to aid in the release of the abrasives. You can use a neutral cleaner or alkaline stone cleaner diluted with water to speed up the break in time. Break in for approx. 50 ft.

30 Second Test : Select a 5 x 5 area and start with appropriate pad, when you have completed your passes as outlined in our diagram (see diagram on the other side), repeat in one small area (approx 2 x 2 sq. ft) as a test area. If after rinsing, both areas look the same go on to the next step. If the area that you worked for the extra 30 seconds looks better, you need to keep using the pad you are on at least one more pass or lengthen the time of the pass. This helps determine how many passes the stone you are working on will require. Repeat this 1 time on each step until desired results are achieved. This allows you to continue on the job knowing exactly how long and how many passes you need. The 30 second test tells you if the pad you are using has achieved its maximum result and how many passes you should do to get there. If you move up to the next step without getting the maximum result from the previous pad, the next pad will not compensate and be able to achieve it's maximum result. This one mistake will extend work time and not produce the maximum results.

Process for floor restoration:

1. Properly mask off any surrounding area's.
2. Thoroughly rinse the area so that it is free of debris. Rinse diagonal to the grout joints with a 4 jet squeegee wand.
3. Determine the level of damage to the surface and refer to the outcome chart to decide which pad to start with. You **do not** need to use all 4 pad steps on every job (Step 1 is used when you can feel and see heavy damage) Select a small area where there is the most damage and start with one pad higher than you think you need. If it removes the damage then start with that pad. If not start with a lower step.
4. Do a test area in the most heavily damaged area and perform the **30 second test** (details on the other side)
5. Apply water to the area that you are going to start working in. Always work from the closest point and work your way in. You always need to use water with the Step 1 - 4 Cheetah Pads.
6. If using a rotary floor machine move it in the pattern shown in the diagram. Use a **small circular overlapping pattern** and stand at a 45 degree angle to the grout joints. This helps minimize picture framing. **Do not** move your machine side to side (this will cause premature breakage of the outer segments on the pads and contributes to picture framing. Soft stones require 1-4 passes and harder stones require 4-8 passes. If you are using a different type of machine, move the machine in a forward motion. You will create a slurry from the water, stone dust and abrasives.
7. We recommend working in about a 5 x 5 foot area at a time.
8. **Rinse** the area thoroughly using a 4 jet squeegee wand. Rinse using a diagonal pattern across the grout joints. This allows for constant vacuum and will help remove the abrasive material from the floor and grout joints. You need to feel the floor, or wipe with a microfiber cloth, to ensure that you are not leaving abrasive material behind. The abrasives left behind in step 2-4 pads are so fine you can't feel them so you need to rinse diagonally to ensure full extraction. If the area that you spent your extra 30 seconds in looks significantly better then you can adjust your passes and pass time accordingly.
9. Move to the next step and repeat until you have reached your desired outcome.



Final polish details: You can achieve a higher shine and color enhancement on certain stones by doing an additional polishing step using a dry 11,000 grit pad. We recommend having an additional 11,000 grit pad dedicated to this final step. This is true for floors and countertops.

Sealers:

Our process will tighten up the pores of the stone so that it is much less porous which makes it more resistant to staining. We do still recommend sealing with a high quality sealer applied with a fine tip sprayer. Visit us online for more information about our sealers.

Process for countertop/vertical surface restoration:

1. Properly mask off any surrounding area's.
2. Thoroughly rinse the area so that it is free of debris.
3. Determine the level of damage to the surface and refer to the outcome chart to decide which pad to start with. You **do not** need to use all 4 pad steps on every job (Step 1 is used when you can feel and see heavy damage) Select a small area where there is the most damage and start with one pad higher than you think you need. If it removes the damage then start with that pad. If not start with a lower step.
4. Do a test area in the most heavily damaged area and perform the **30 second test** (details on the other side)
5. Apply water to the area that you are going to start working in. You need to keep the surface wet.
6. Use your grinder at low speed and apply steady even pressure. You do not want to tilt the machine. Work the surface in a small circular pattern.
7. Use a hand squeegee to remove the slurry, rinse, and wipe down.
8. Move to the next step and repeat until you have reached your desired outcome.



Toll Free: 800-280-0333 Email: customerservice@innovativesurfacesolutions.com

www.innovativesurfacesolutions.com